



**WARNING**

Failure to **turn OFF electrical power at the service panel** prior to removing/installing the cover plate or SwitchLight can result in electrical shock, fires, and/or death.

**CAUTION: Please read all instructions and warnings before installing!**

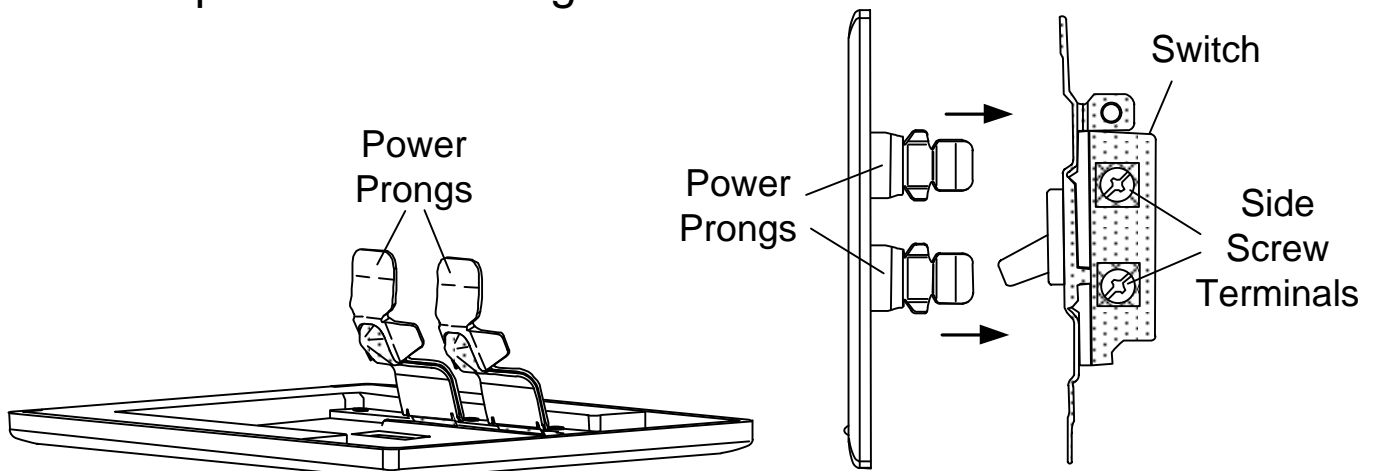
- Failure to follow these instructions can cause electrical shock, death or permanent injury.
- Do not work on live electrical switches.
- The SwitchLight is for dry indoor location use only.
- Install the SwitchLight in accordance with all applicable electrical codes and regulations.
- The SwitchLight is designed for use with standard single pole, single gang toggle and rocker switches with screw terminals. The SwitchLight is not designed for use with rooms where multiple light switches (3-way or 4-way light switches) control the same lights.
- Prongs must always fit inside the electrical box. There must be enough room between the sides of the switch body and the electrical box for the prongs on the SwitchLight to slide inside the electrical box and contact the switch body. Installing the SwitchLight without enough room between the switch and the electrical box can result in damage to the SwitchLight, arcing and/or malfunction of your electrical system.
- If you are unsure about any part of these instructions, consult an electrician.

www.snappower.com



**WARNING:** Do not work around switches while the power is on at the service panel. Do not stick fingers or tools into an electrical box while the power is on.

**How SnapPower SwitchLights Work**



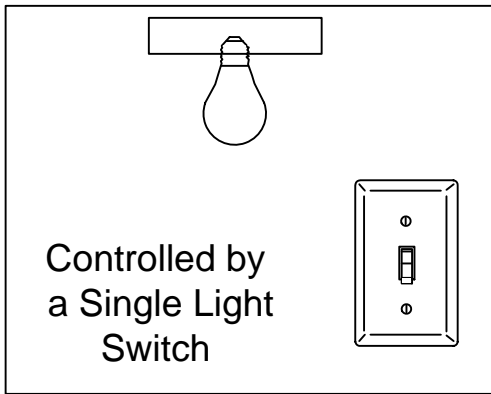
The SwitchLight has two power prongs that extend from the back.

When the SwitchLight is installed over the switch, the prongs slide around the side screw terminals and contact the lower screw heads to extract power when the switch is off.

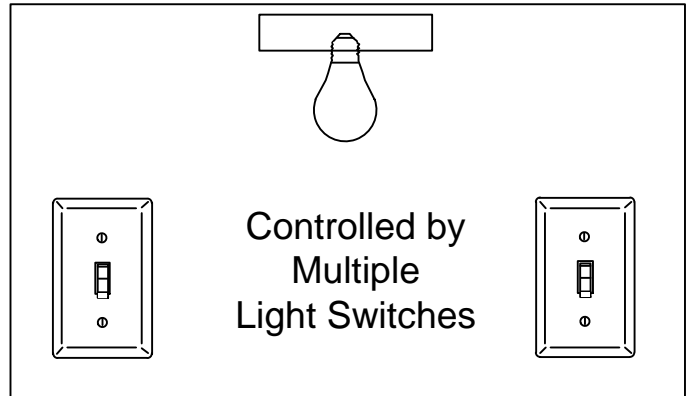
### Selecting a light switch

Your SnapPower SwitchLight works in rooms where there is only one light switch controlling the overhead lights. It will not work in areas, such as hallways, where the multiple switches control the overhead lights.

#### Compatible

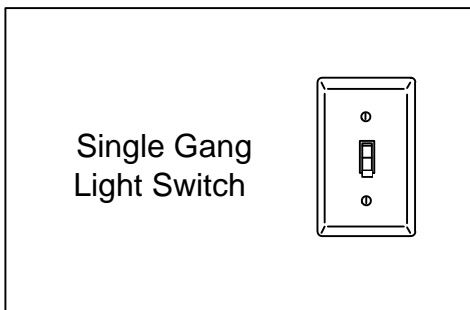


#### Not Compatible

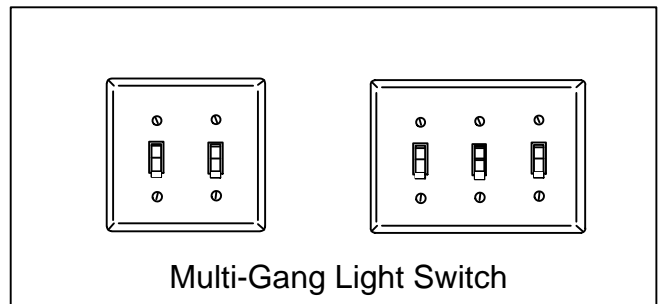


Your SnapPower SwitchLight works on single gang light switches. The SwitchLight is not compatible with multi-gang light switches.

#### Compatible



#### Not Compatible

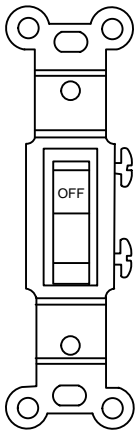


Your SwitchLight has been specifically designed to be compatible with a wide range of lightbulbs, including incandescent, fluorescent, and LED light bulbs. However, a few low wattage light bulbs may flicker or illuminate when used with the Switch Light. If this is a concern, the light bulb can be changed for a different type of bulb.

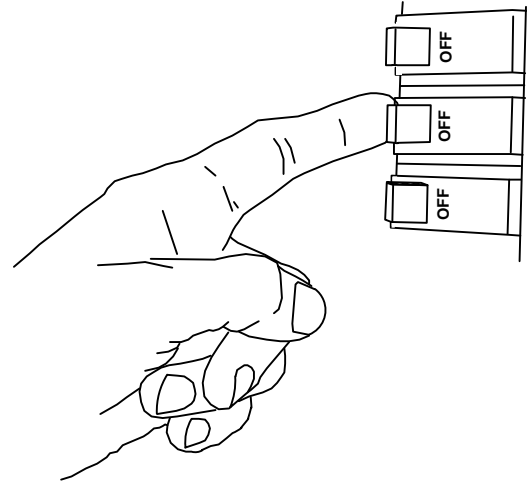
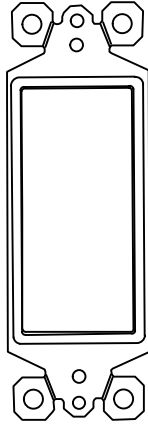
#### Compatible

- All incandescent bulbs
- All LED bulbs over 4 Watts
- All tube fluorescents
- Most helical fluorescents
- All Smart Bulbs

Toggle

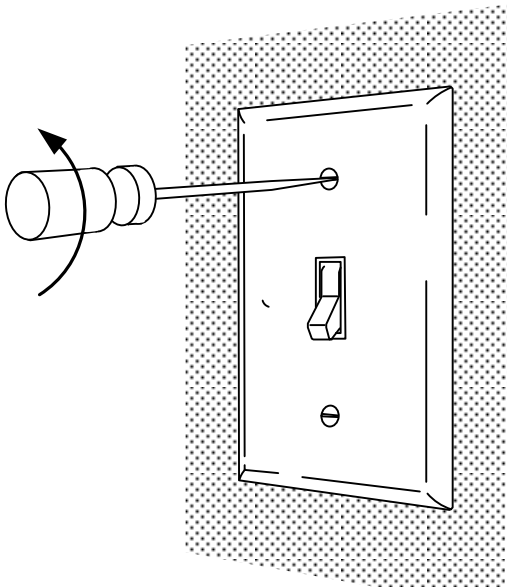


Rocker

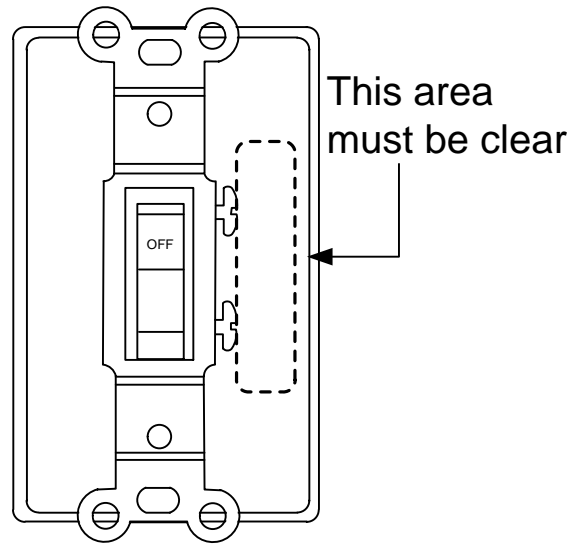


STEP 1: Select a switch that the SwitchLight will be installed over. The SwitchLight is compatible with standard single pole, single gang switches as shown above.

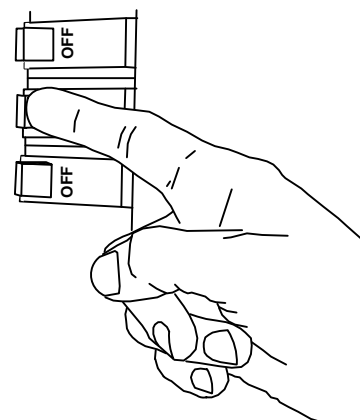
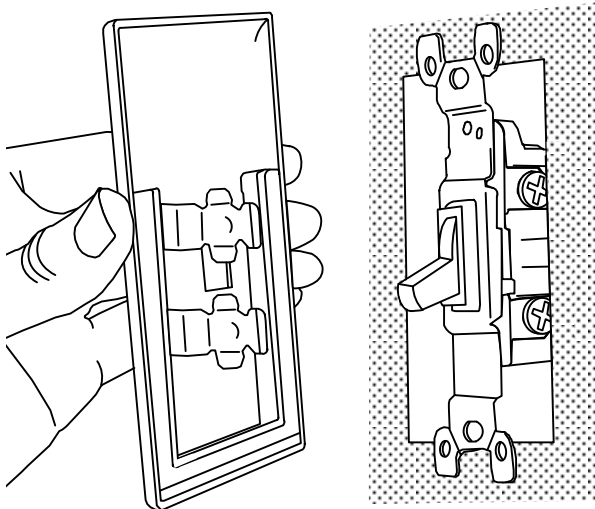
STEP 2: TURN OFF POWER at the circuit breaker or fuse box and TEST that the power is off at the switch before removing the existing coverplate or proceeding with the installation.



STEP 3: Remove existing coverplate from the switch.



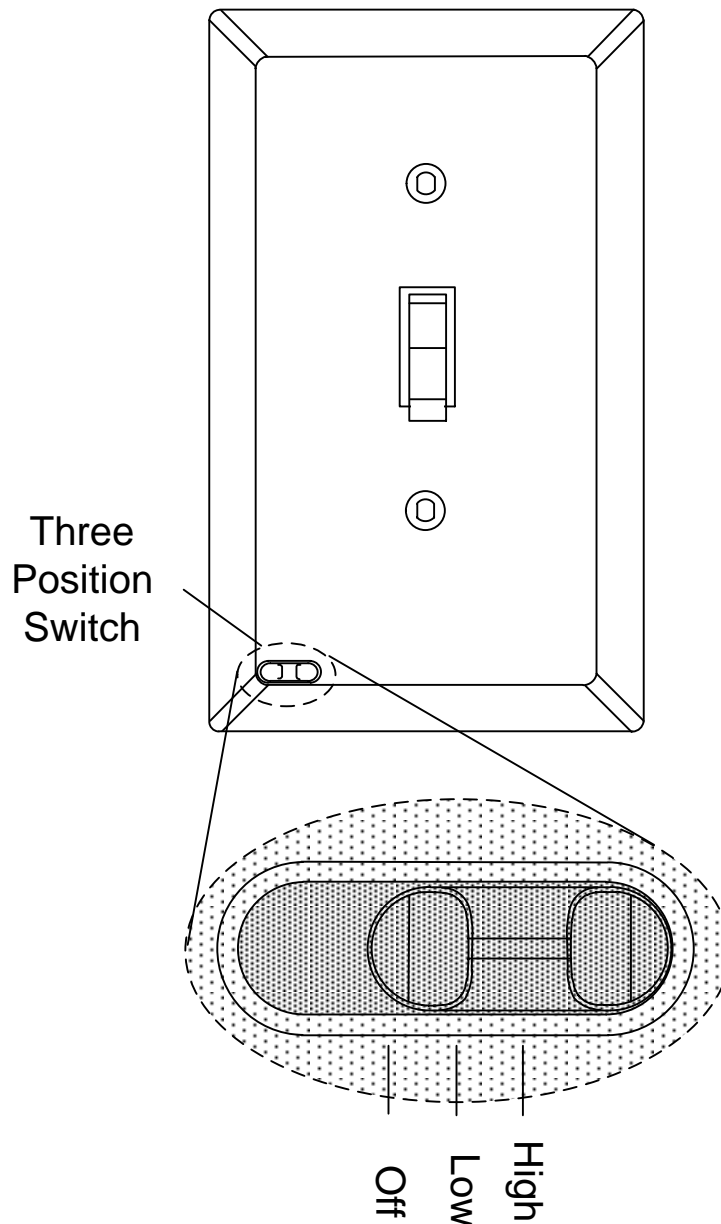
STEP 4: Look into the box to determine if the areas around the screw terminals are clear so that the prongs can pass into the box and around the switch. If the area is not clear, see the "Obstructions" section of this manual.



STEP 5: If clear, place the SwitchLight over the switch and secure with screws. Be sure that the prongs slide **inside** the electrical box.

STEP 6: Turn ON electrical power to the switch. Turn off the overhead light and darken the room to test the SwitchLight's function.

Adjusting light output



Your SnapPower SwitchLight includes a three position switch in its lower left corner. Moving the switch to the left turns the SwitchLight off. In the off position, the SwitchLight will not illuminate even if the room is dark. In the center position, the SwitchLight will provide a low level of illumination when the room is dark. In the right position, the SwitchLight will provide a higher level of illumination when the room is dark. After installing the SwitchLight you can select the desired light level for your room by moving the switch to the appropriate position.

The SwitchLight also includes a light sensor that will turn the SwitchLight off when the room is light and on when the room is dark. The light sensor is located behind the switch. To test your SwitchLight, you can cover the switch with your finger to block light on the light sensor.



**WARNING**

Failure to **turn OFF electrical power at the service panel** prior to removing/installing the cover plate or SwitchLight can result in electrical shock, fires, and/or death.

Having difficulties? Here are some tips that might help. Your SwitchLight was individually tested and worked great when it was shipped. It is very unlikely that the SwitchLight itself is malfunctioning. We'll walk you through some issues that you might encounter.

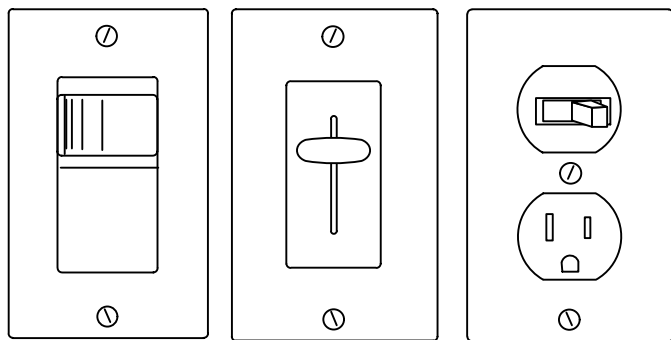
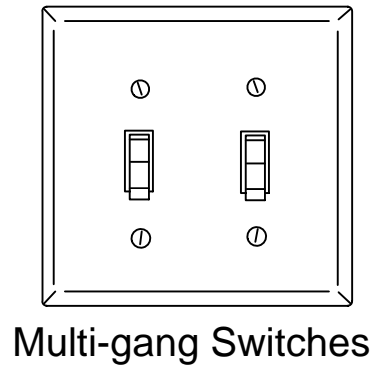
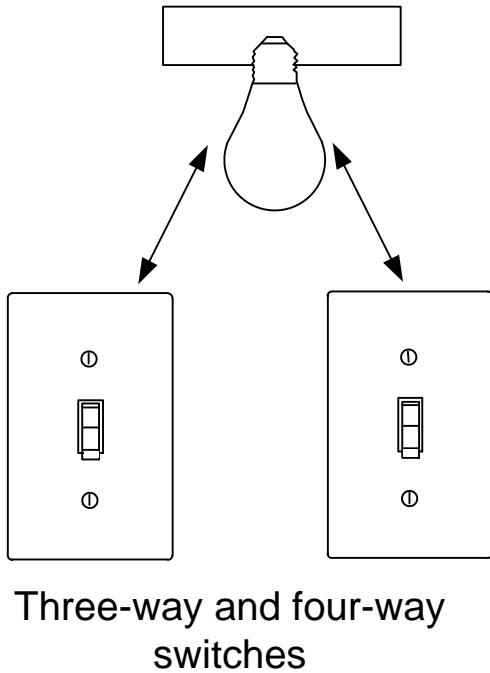
**QUICK OVERVIEW OF POSSIBLE INSTALLATION ISSUES**

ISSUE	TROUBLESHOOTING STEPS
<p>You can't get your SwitchLight installed over the selected light switch.</p>	<p>Is the light switch a standard single pole toggle or rocker light switch? If not, you will need to select a different light switch. See the "Non-compatible Light Switch" section of the troubleshooting guide.</p>
	<p>Is there an obstruction that is preventing the prongs from passing around the light switch and inside the electrical box? See the "Obstruction" section of the troubleshooting guide.</p>
<p>You have installed the SwitchLight over a switch but the SwitchLight is not illuminating.</p>	<p>Did you turn the power back on? Is the light switch off?</p>
	<p>Is the SwitchLight on? Move the three position switch on the face of the SwitchLight to the far right.</p>
	<p>The SwitchLight only illuminates when the area is dark. You may need to darken the room and place your finger over the light sensor. The light sensor is under the three position switch in the lower left hand corner of the SwitchLight.</p>
	<p>Have you installed the SwitchLight in the correct orientation over your switch? For the SwitchLight, the prongs should be on the same side as screw terminals on the light switch. See the "Orientation" section.</p>
	<p>Is there something interfering with the contact between the prongs and side screw terminals? See "Obstruction" section. Remember to turn the circuit breaker power off before removing the SwitchLight!</p>
<p>Adjust the SwitchLight installation or prongs. See "Adjust" section.</p>	

The next several pages show specific examples of non-compatible light switches, obstructions resulting from the way your switch was installed, and some adjustments you can make. Please be careful when correcting these problems and always remember to turn the power off before working around electrical wiring! Test the light switch to be sure you turned off the right breaker. **If you are not sure about any part of these instructions consult an electrician.**

Non-compatible Switches

Remember that SwitchLights are designed to fit over rocker and toggle single pole, single gang switches. Below are some examples of nonstandard switches. The SwitchLights will not work with nonstandard switches. A list of compatible switches is at [www.snappower.com/compatible-switches](http://www.snappower.com/compatible-switches).

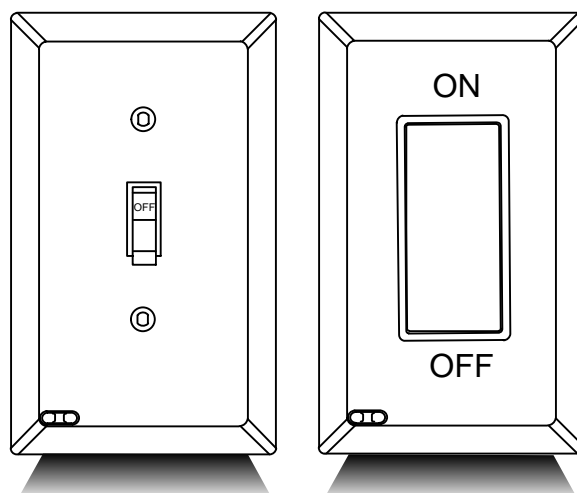


Specialty Switches: dimmers, motion control, smart switches, outlet/switch combos, etc.

Orientation:

The SwitchLight must be installed with the prongs on the same side as the screw terminals. For single pole, single gang light switches the correct orientation is with the light sensor below the switch and the SwitchLight projecting light downward.

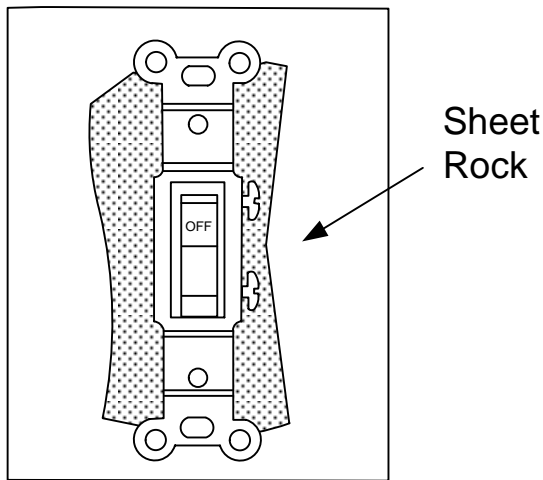
Correct Orientations



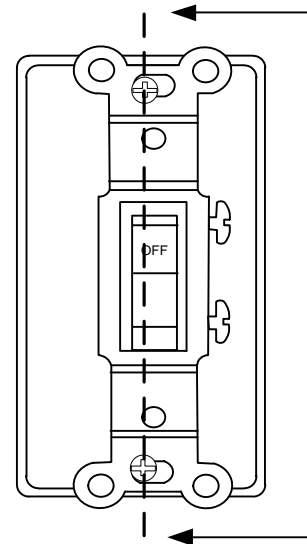


Obstructions

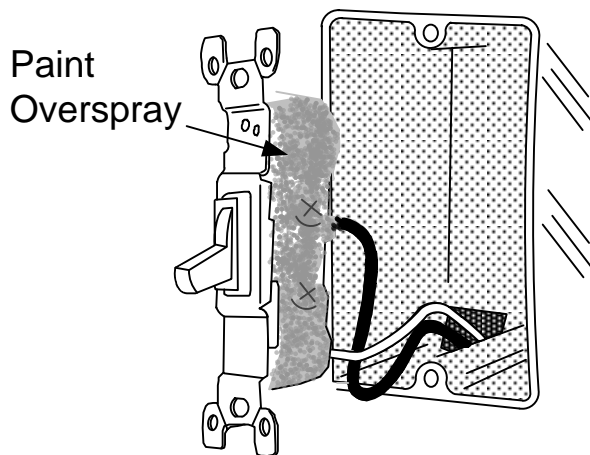
The way your switch was initially installed can create a number of obstructions that prevent the SwitchLight from being installed and/or operating correctly. Be sure to turn off electrical power before working around switches. If you are unsure about any of these instructions, consult an electrician.



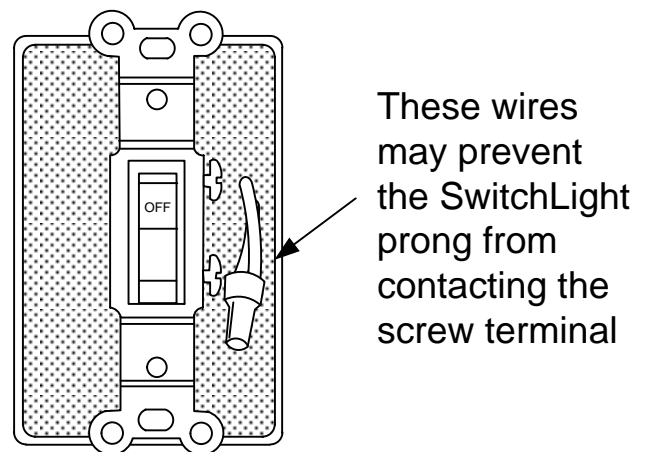
Obstruction 1: Sheet Rock or other wall coverings can prevent the prongs from passing around the switch. This is solved by removing the excess sheet rock near the screw terminals. If you are unsure how to properly do this please consult an electrician.



Obstruction 2: Switch not centered  
If your switch is not centered, there might not be room to insert the prongs on one side. If this is the case, your switch will need to be centered. If you are unsure how to do this, consult an electrician.



Obstruction 3: Paint  
Paint overspray can coat the sides of the switch and prevent the prongs from making electrical contact with the screw terminals. This paint may need to be removed from the screw terminals for your SwitchLight to work. If you are unsure how to do this, consult an electrician.



Obstruction 4: Wires in the way  
For the prongs to fit around the switch the areas next to the screw terminals need to be free from obstructions. If there are wires blocking the side screw terminals, they will need to be moved. If you are unsure how to do this, or if you see bare wires next to the screw terminals, consult an electrician.



---

## SNAPPOWER PRODUCT LIMITED ONE-YEAR WARRANTY

### What this Limited Warranty Covers and For How Long

SnapPower warrants that the Product accompanied by this limited warranty is free from manufacturing defects in materials and workmanship for a period of one (1) year from the date of original purchase, as shown on your invoice or sales receipt. This warranty extends only to the original consumer purchaser of the product from SnapPower or from an authorized reseller.

### Disclaimer of Implied Warranties Beyond the Limited Warranty Period

The limited warranty period of one (1) year also applies to any implied warranties that may exist under applicable law, including the implied warranties of merchantability and fitness for a particular purpose. There are no warranties that extend beyond the description on the face hereof. Some states do not allow limitations on how long an implied warranty lasts, so the above limitation may not apply to you.

### What this Limited Warranty does not Cover

This limited warranty does not apply to defects resulting from (1) overloading, misuse, abuse, alteration, accident, neglect, improper maintenance or handling, or normal wear and tear; (2) improper installation; (3) installation in an improper environment; and (4) any use that is not under normal operating conditions or not in accordance with any product packaging, warnings, or instructions for use.

### What SnapPower will do

If you believe the product is defective, please return it to SnapPower in the manner described below within the limited warranty period of one (1) year from the date of purchase. If SnapPower determines there is a defect covered by this limited warranty, SnapPower will, at its option, repair, replace the product, or refund your purchase price. This limited warranty extends to repaired and replacement products and components only through the end of the original limited warranty period.

### Limitations of Remedies under this Limited Warranty

The remedies provided herein are the exclusive remedies under this limited warranty, whether based on contract, tort or otherwise. In no event will SnapPower or any of its retailers, dealers, distributors or resellers be liable for incidental, indirect, special or consequential damages relating to the product (including any repaired or replacement product or component), its use, or its installation, including without limitation damage to, or loss of use of, any equipment, lost sales or profits or delay or failure to perform this warranty obligation. Some states do not allow the exclusion or limitation of incidental or consequential damages, so the above limitation or exclusion may not apply to you.

### How State Law Applies

This limited warranty gives you specific legal rights, and you may also have other rights which vary from State to State.

### What You Must do to Get Coverage Under this Limited Warranty

To make a claim under this limited warranty you must first contact SnapPower within the limited warranty period. Please write to: 426 E. 1750 N. Unit D, Vineyard, Utah 84057 or email [support@snappower.com](mailto:support@snappower.com). You must provide proof of purchase in the form of your original sales receipt in order to obtain limited warranty coverage. SnapPower will perform the warranty obligations, if any, within 60 days of the Owner's submission of the warranty claim.